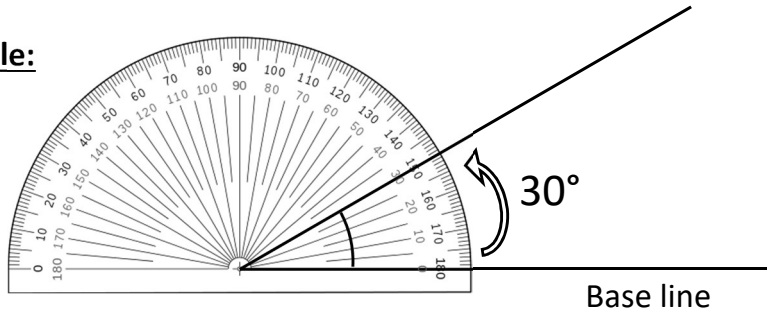


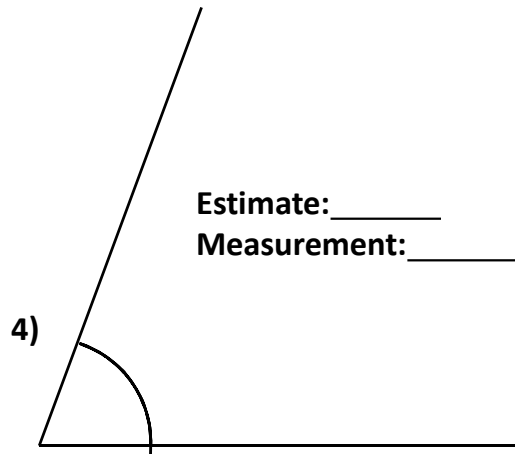
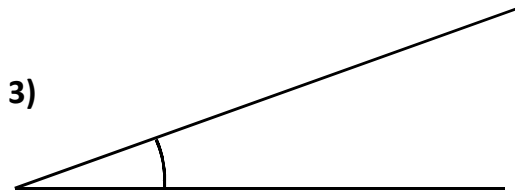
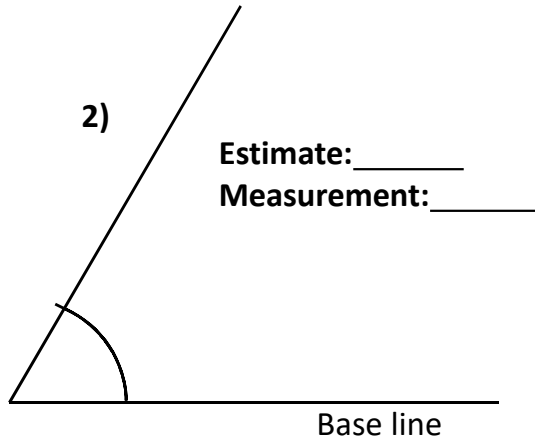
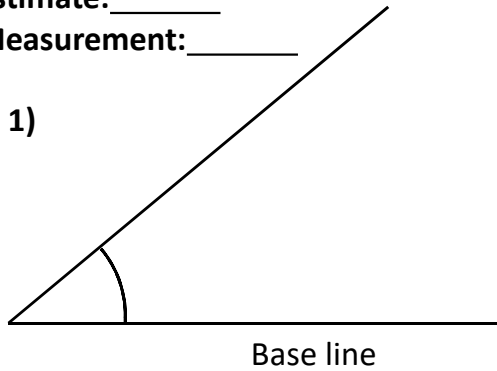
Estimating & Measuring Angles

- 1) **Estimate** the angle before you measure.
- 2) **Center the protractor** on the vertex (corner).
- 3) **Line up 0** with the base line.
- 4) **Count up** from 0 until you reach the second line.

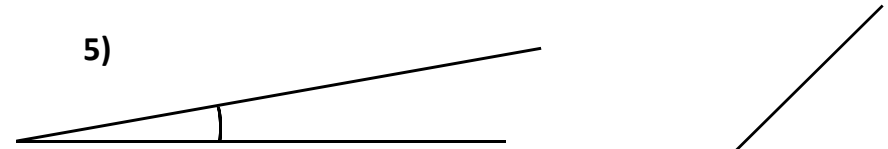
Example:



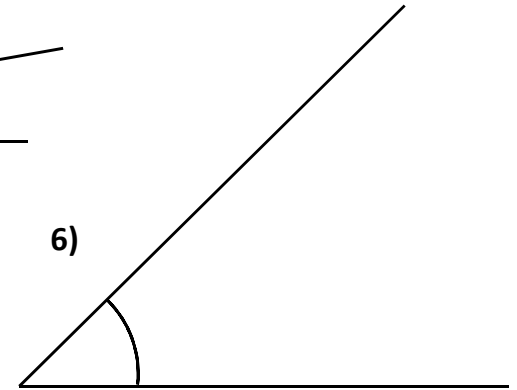
Estimate: _____
Measurement: _____



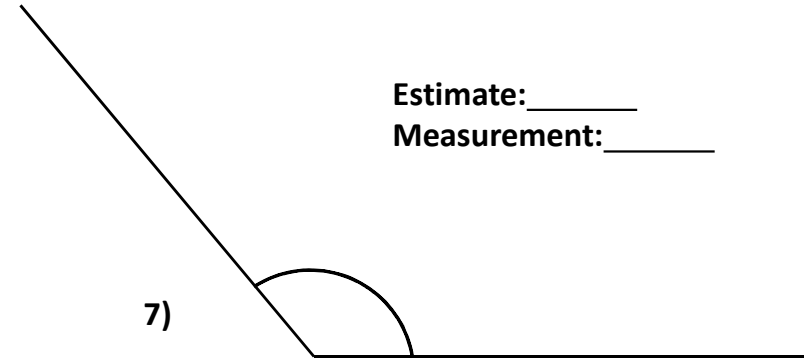
Estimate: _____
Measurement: _____



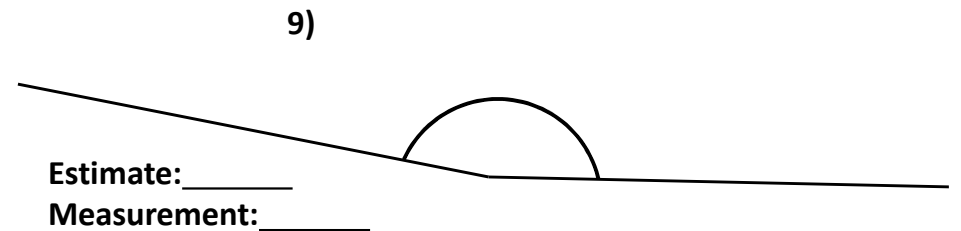
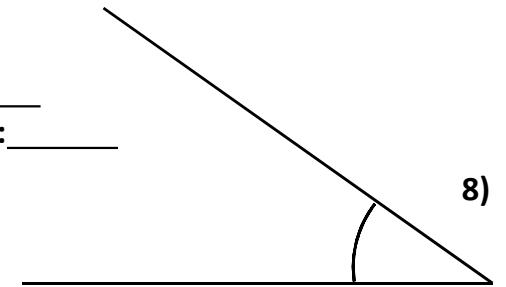
Estimate: _____
Measurement: 45°



Estimate: _____
Measurement: _____



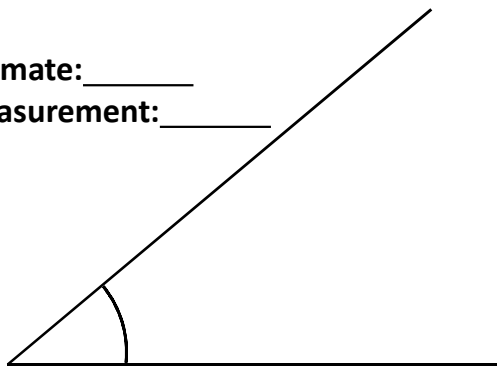
Estimate: _____
Measurement: _____



Estimating & Measuring Angles

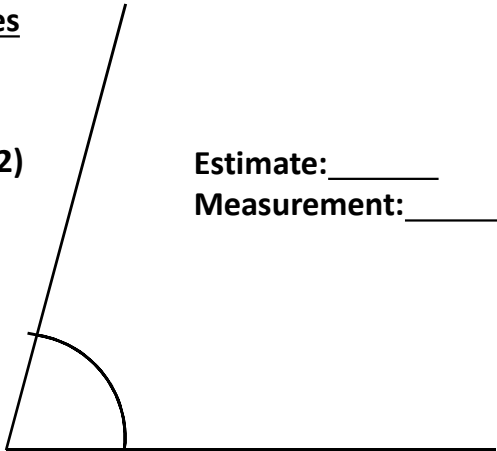
1)

Estimate: _____
Measurement: _____



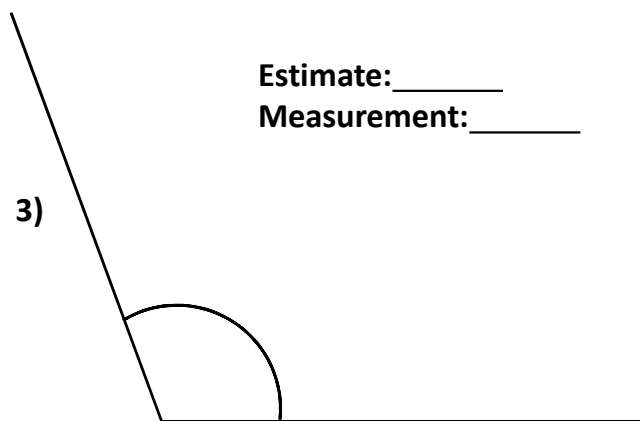
2)

Estimate: _____
Measurement: _____



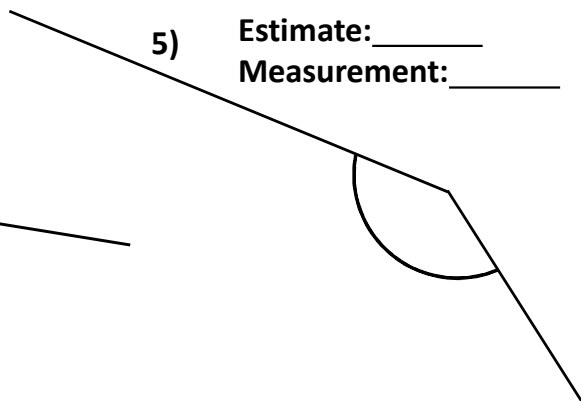
3)

Estimate: _____
Measurement: _____



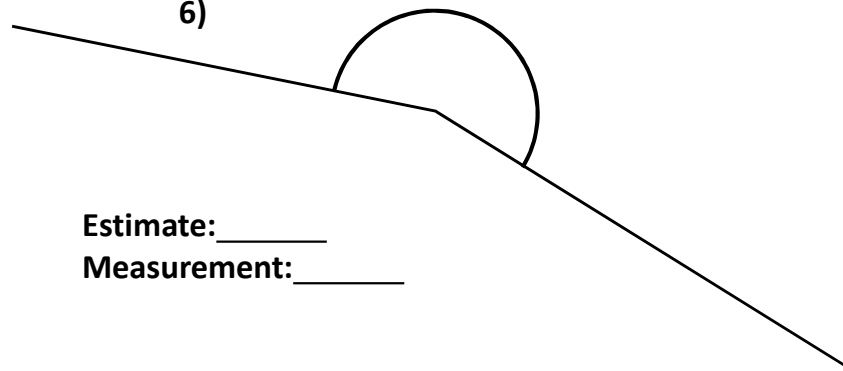
5)

Estimate: _____
Measurement: _____



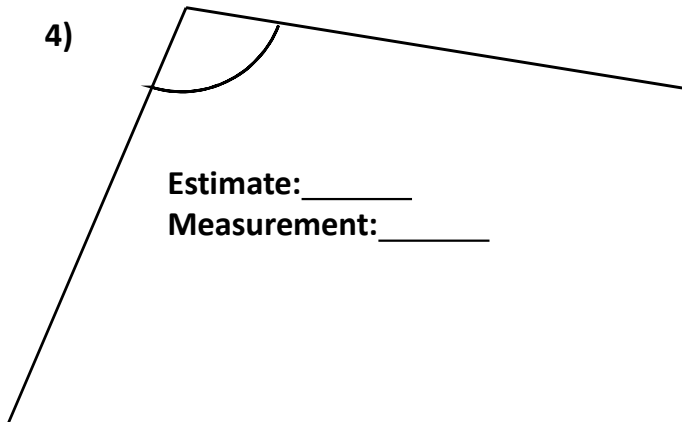
6)

Estimate: _____
Measurement: _____



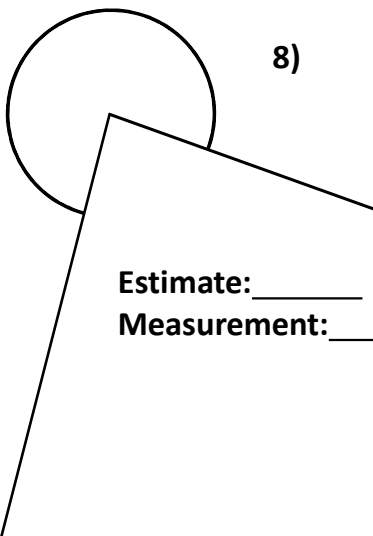
4)

Estimate: _____
Measurement: _____



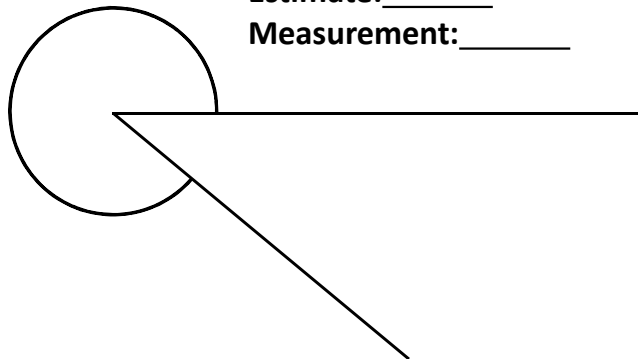
8)

Estimate: _____
Measurement: _____



7)

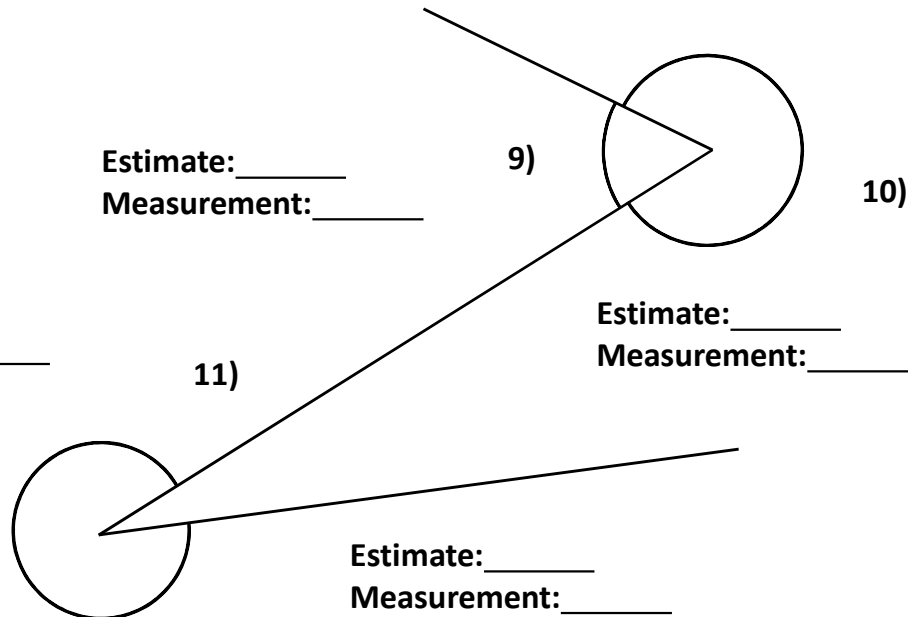
Estimate: _____
Measurement: _____



Estimate: _____
Measurement: _____

9)

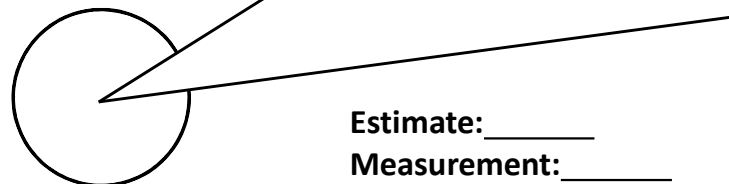
Estimate: _____
Measurement: _____



10)

11)

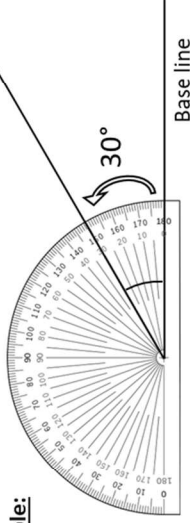
Estimate: _____
Measurement: _____



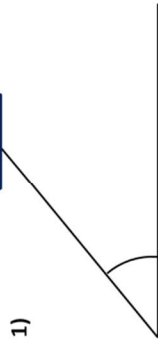
Estimating & Measuring Angles

- 1) Estimate the angle before you measure.
- 2) Center the protractor on the vertex (corner).
- 3) Line up 0 with the base line.
- 4) Count up from 0 until you reach the second line.

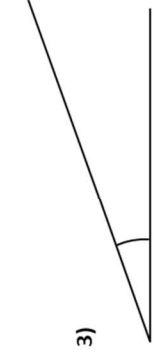
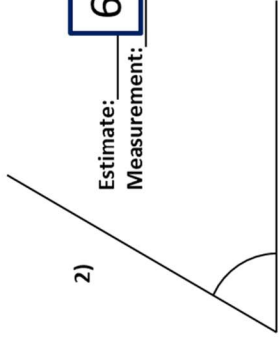
Example:



Estimate: **40°**
Measurement: _____



Estimate: **60°**
Measurement: _____



Estimate: **20°**
Measurement: _____



Estimate: **70°**
Measurement: _____

5)

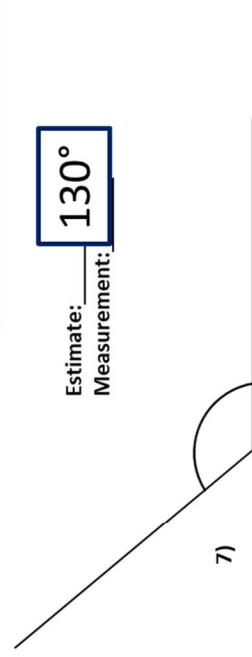
Estimate: _____
Measurement: **45°**



Estimate: **10°**
Measurement: _____

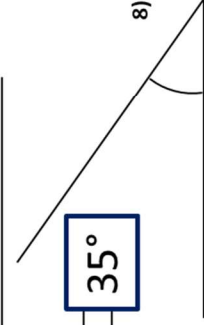
6)

Estimate: _____
Measurement: **130°**



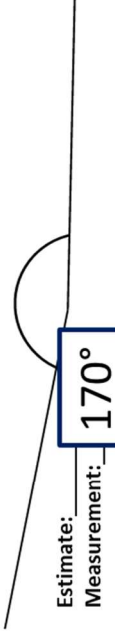
7)

Estimate: _____
Measurement: **35°**



8)

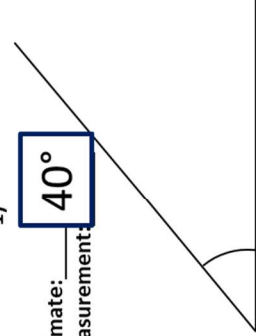
Estimate: _____
Measurement: **170°**



Estimating & Measuring Angles

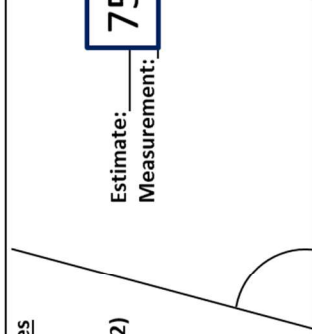
1)

Estimate: **40°**
Measurement: _____



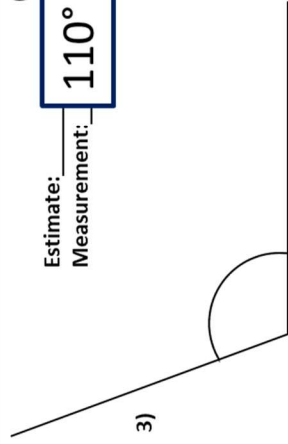
2)

Estimate: **75°**
Measurement: _____



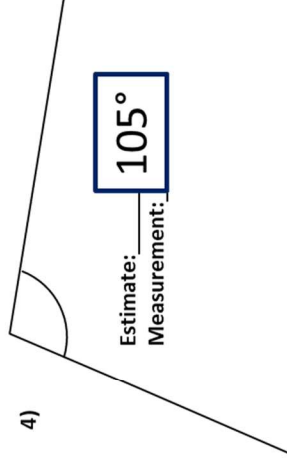
3)

Estimate: _____
Measurement: **110°**



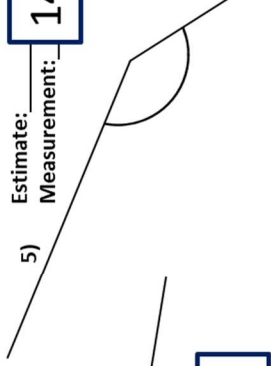
4)

Estimate: _____
Measurement: **105°**



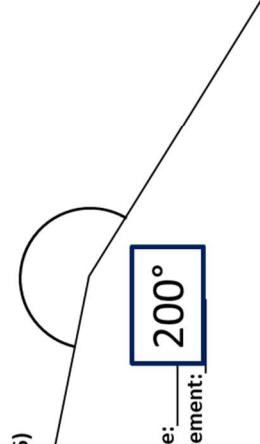
5)

Estimate: **145°**
Measurement: _____



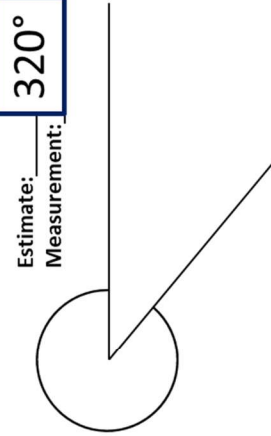
6)

Estimate: _____
Measurement: **200°**

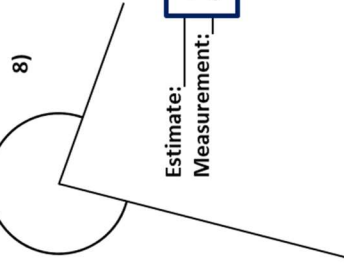


7)

Estimate: _____
Measurement: **320°**



Estimate: _____
Measurement: **320°**



8)

Estimate: _____
Measurement: **60°**

9)

Estimate: _____
Measurement: **275°**

10)

Estimate: _____
Measurement: **300°**

11)

Estimate: _____
Measurement: **335°**

